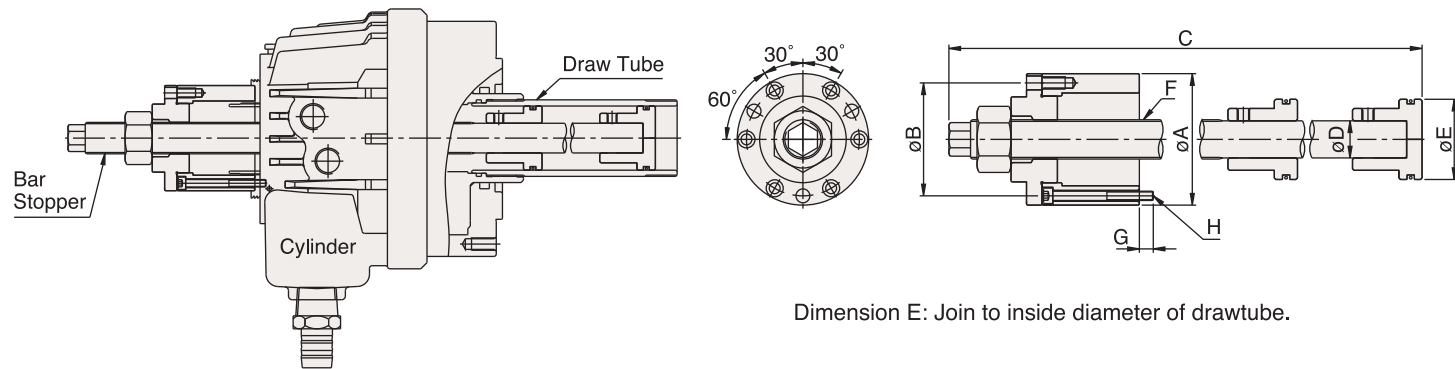


## BAR STOPPER



### ■ DIMENSIONS



Dimension E: Join to inside diameter of drawtube.

### ■ SPECIFICATIONS

UNIT:mm

MODEL / SPEC.	A	B	C	D	F	G	H	Max. Speed r.p.m.(min <sup>-1</sup> )	Stroke	Matching Cylinder Of CHANDOX	Matching Cylinder Of KITAGAWA
PE-06	76	64	910	ø24	W 1"-12	9	6-M6x1Px55	3000	350	P1246	S1246
PE-08	85	73	1010	ø24	W 1"-12	9	6-M6x1Px65	2400	400	P1552	S1552
PE-10	108	98	1310	ø24	W 1"-12	9	6-M6x1Px65	2000	400	P1875	S1875
PE-12	120	108	1310	ø32	M33x2P	9	6-M6x1Px70	1600	400	P2091	S2091
PE-15	160	148	1310	ø32	M33x2P	13	6-M6x1Px75	1200	400	P2511	--